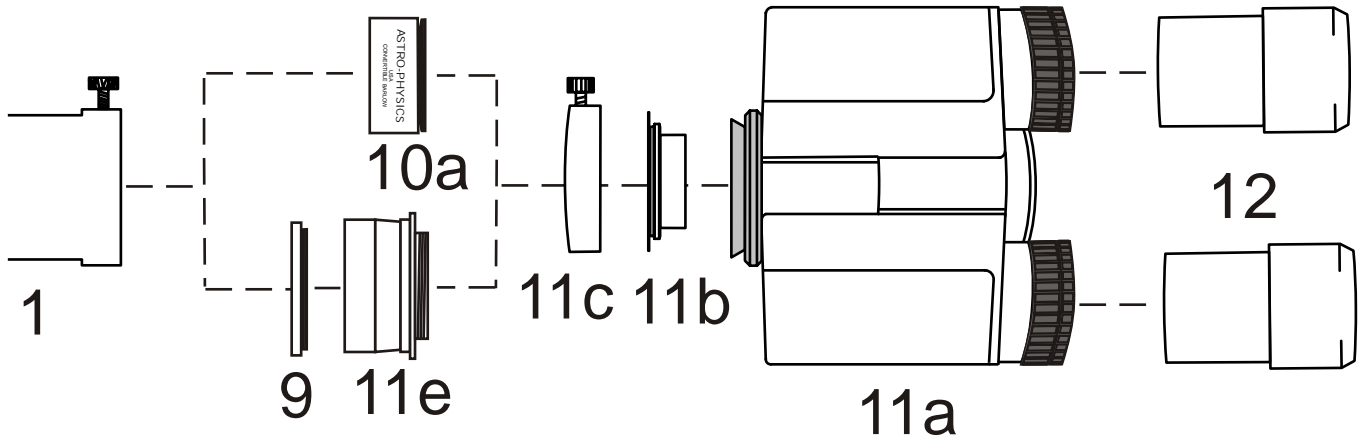
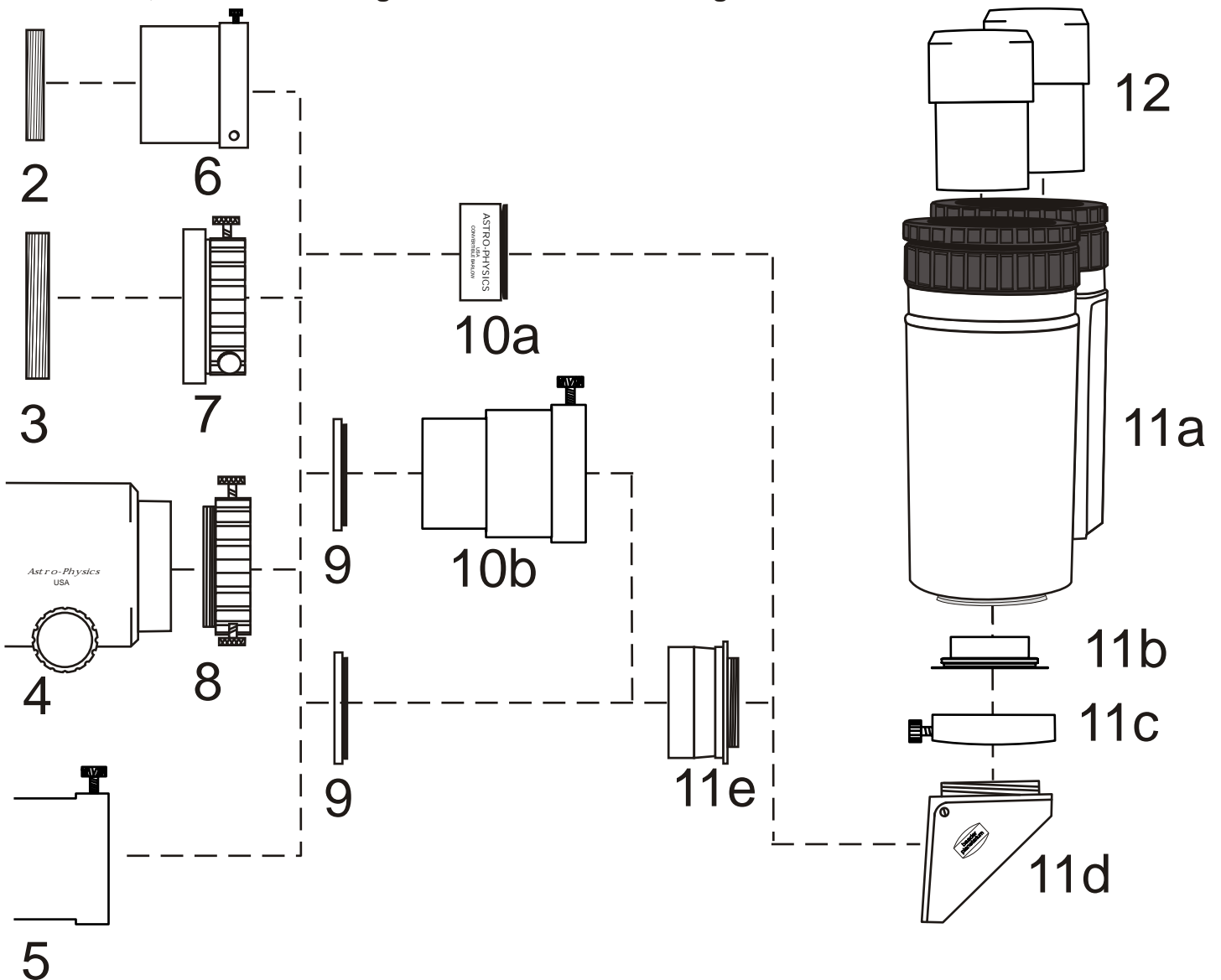


BAADER PLANETARIUM MARK V BINOCULAR VIEWER (BPMARKV)

Straight-through Viewing: Newtonians, Maksutov-Newtonians, and Schmidt-Newtonians



Refractors, Maksutov-Cassegrains and Schmidt-Cassegrains



BAADER PLANETARIUM MARK V BINOCULAR VIEWER (BPMARKVS)

1. 2" slip-in-type opening of Newtonian, Maksutov-Newtonian, and Schmidt-Newtonian Telescopes
2. Rear cell on 9.25" and smaller SCTs
3. Rear cell on 10" and larger SCTs
4. Astro-Physics 2.7" Focuser (27FOCU2) or 4" Focuser with reducers in place
5. 2" slip-in-type opening of other telescopes
6. 2" visual back for 9.25" SCTs and under. Consider our ADASCT with brass locking ring and two screws (shown).
7. 2" visual back for 10" and larger SCTs. Consider our ADASCTLC (Celestron) and ADASCTLM (Meade), which feature a brass locking ring and three screws (shown).
8. 2" Adapter with brass locking ring and 3 large thumbscrews (ADA2003)
9. 48 mm filter (optional)
10. 2" Convertible Photo-Visual Barlow (BARCON), which includes 2" Extension.
The Baader Planetarium Fluorite Flatfield Converter (FFC) is another excellent choice.
 - 10a. 2" Convertible Photo-Visual Barlow optics
 - 10b. 2" Extension - Length 1.75" (ADA202)
11. Baader Planetarium Mark V Binocular Viewer System (BPMARKVS)
 - 11a. Baader Planetarium Mark V Binocular Viewer
 - 11b. 1.25x Glaspath Compensator (BP4A)
 - 11c. Bayonet connector (BP6)
 - 11d. Prism Diagonal (BP1)
 - 11e. 2"/T-2 Tapered Nosepiece (AP16T or BP16). If you are using the thin 2" adapter (part# ADA2013) or a 92mm f5 or f7 Stowaway, use the BP16 nosepiece (purchased separately) instead of the AP16T.
12. 1.25" Eyepieces

Note: Some eyepieces may not come to focus, depending on the backfocus of your telescope.