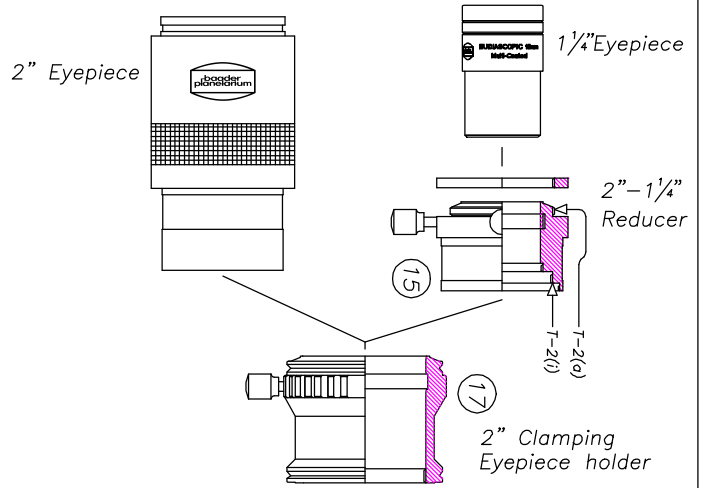
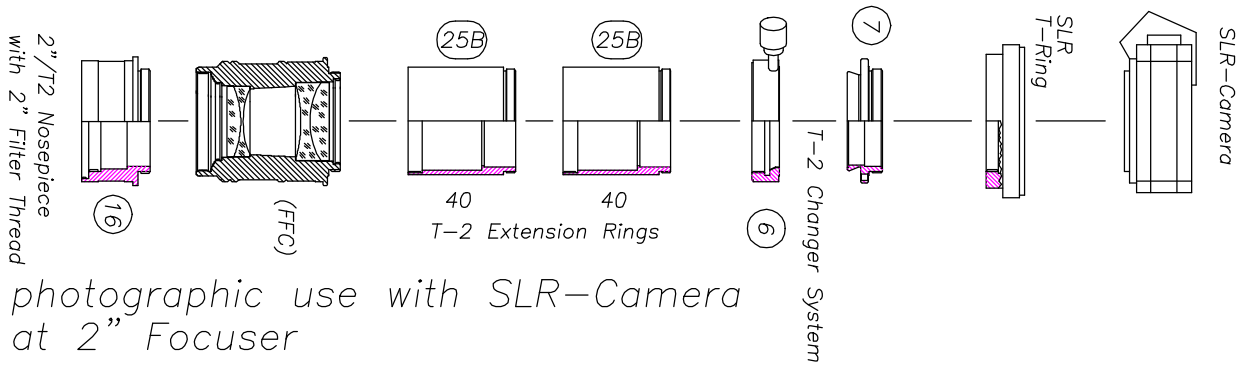
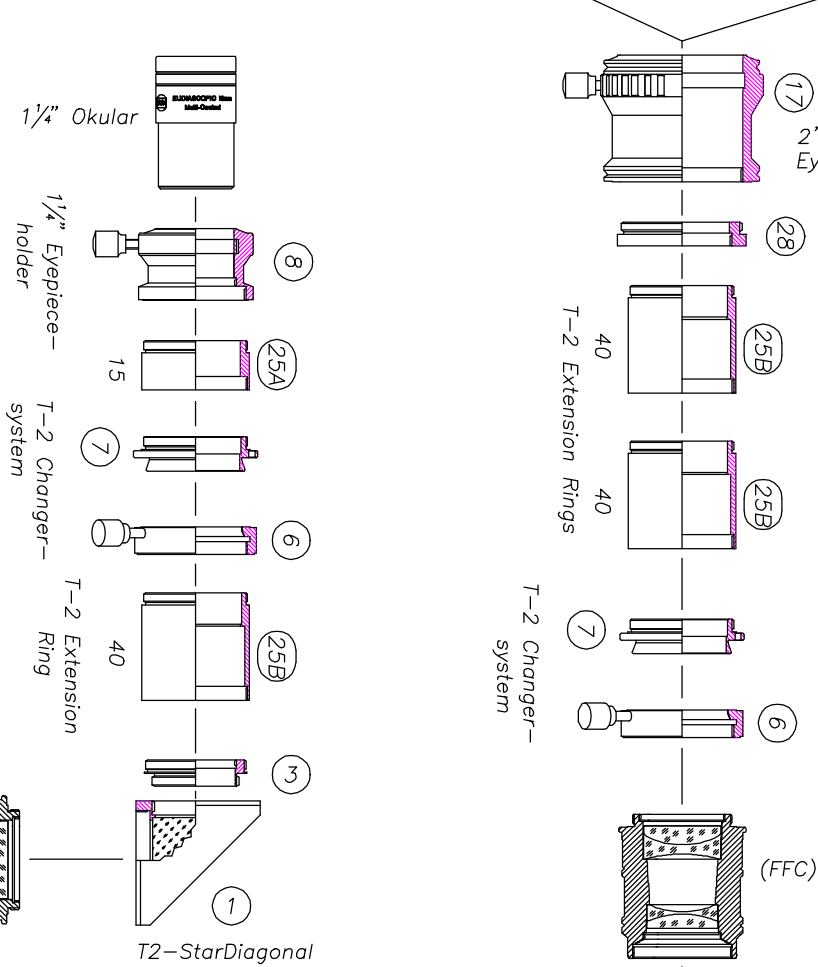


# Standard FFC-combinations

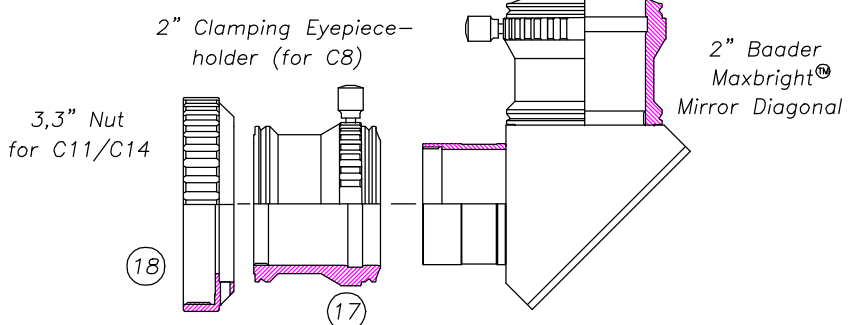
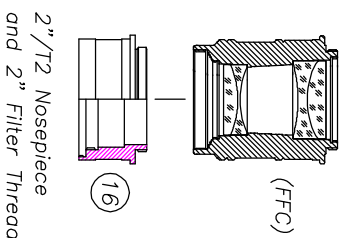
## Basic Configuration for 4x Focal Extension



Visual use with 2" StarDiagonal (or 2" Maxbright® Mirror Diagonal) and 2" or 1/4" Eyepieces



Visual use with 1/4" Eyepieces and T-2 (Zeiss) StarDiagonal



Astro T-2 System® and Fluorit Flatfield Converter® are registered Trademarks, protected by law. Any unauthorized use of our Trade Marks, any unauthorized copying and commercial use of our System drawings will be regarded as serious infringement and prosecuted by law.