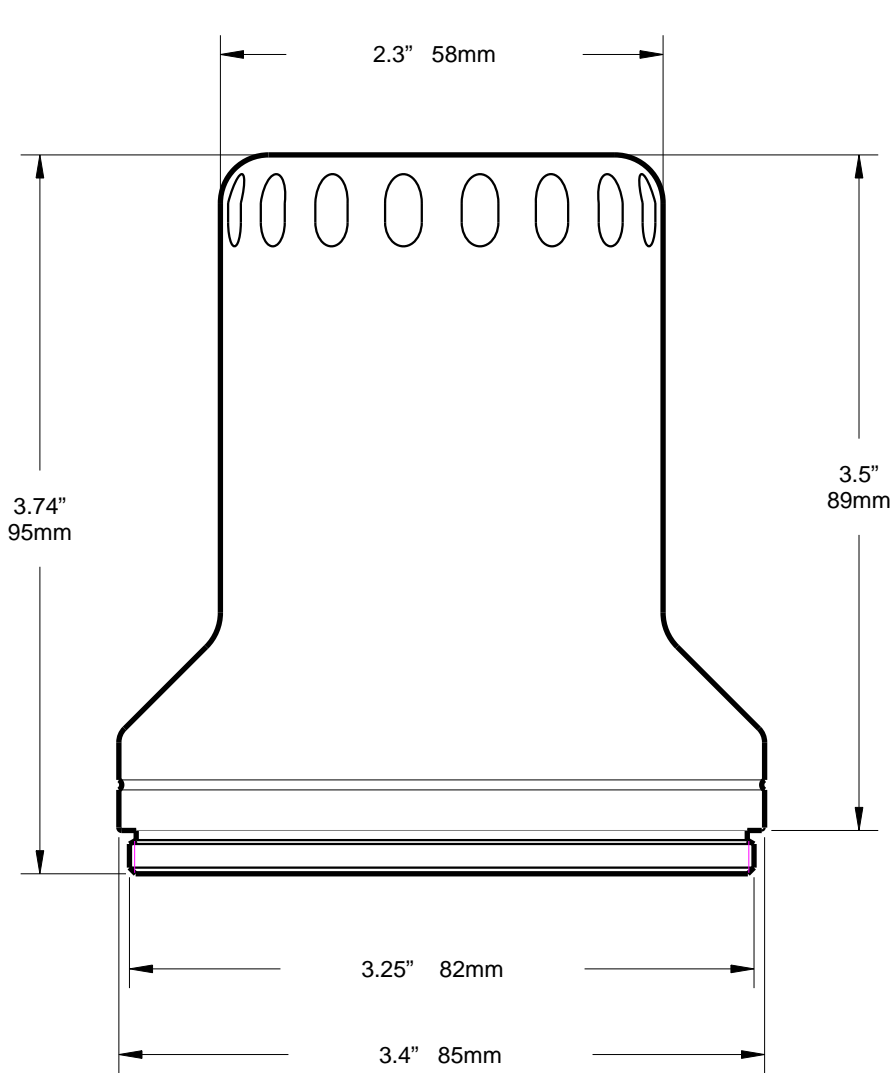
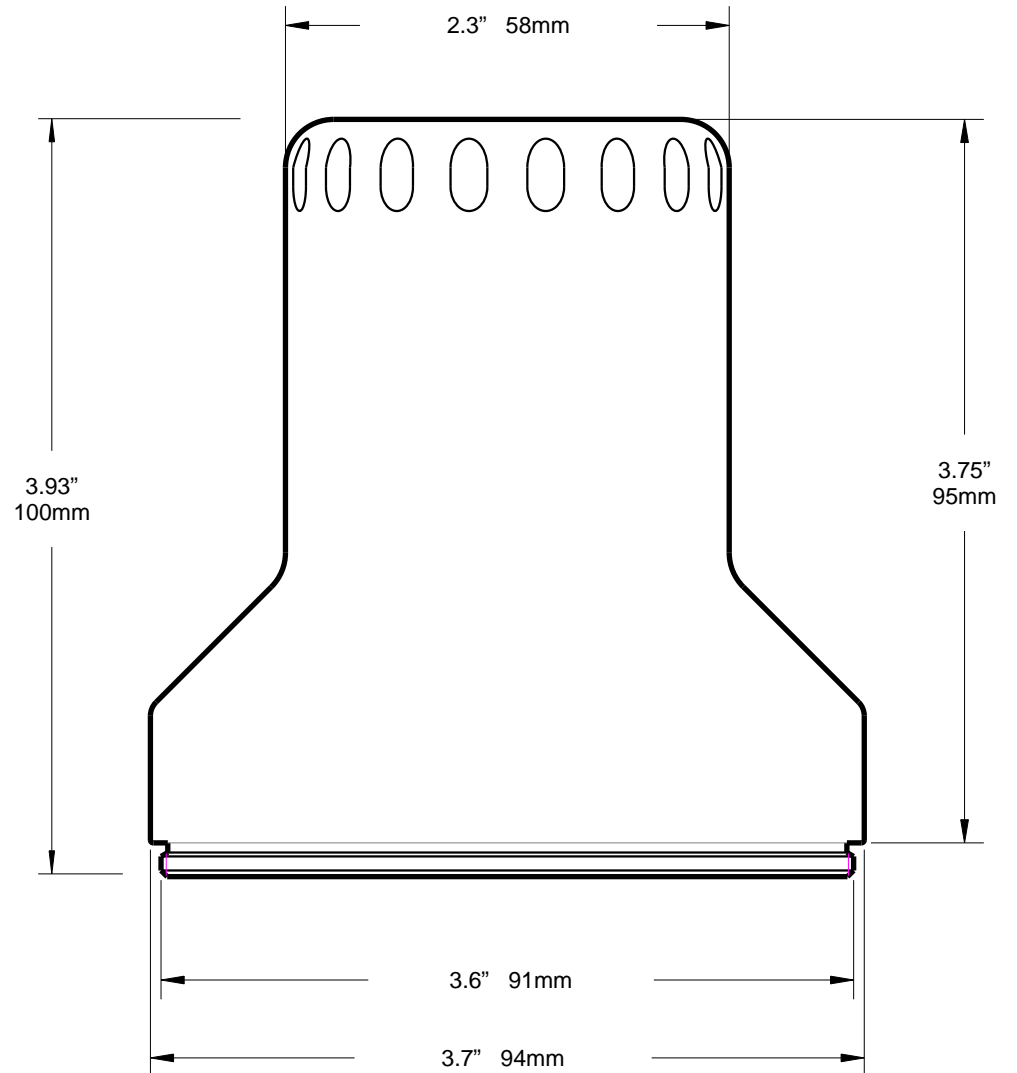


# Polar Scope Cover Illustration

To confirm that you will not encounter interference with these covers in your current latitude setting, please print this scaled illustration at 100%. Cut along the outside of the bold line and hold illustration in position at the back end of the RA axis.



**Q12700**



**Q9700**