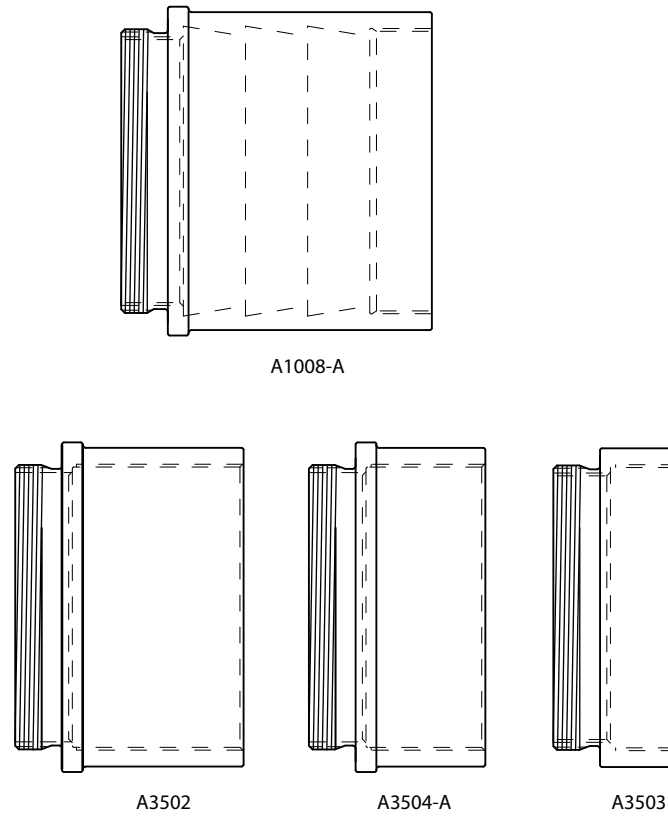
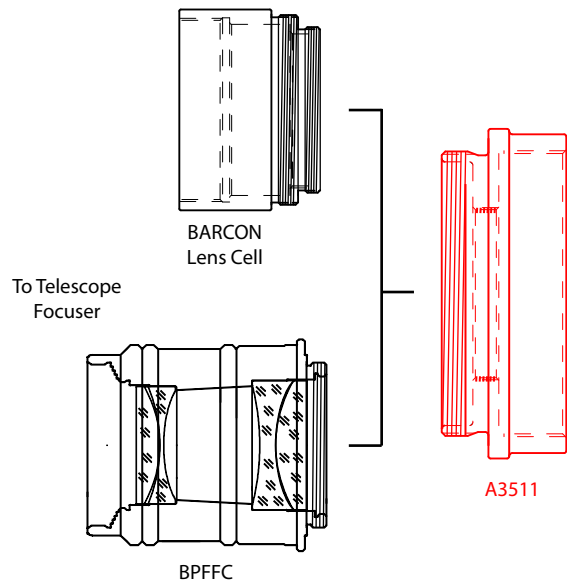


A3511 System Chart

Threaded 2.7" Extension with Internal T-thread

Utilize either the
AP Barcon or
Baader FFC



Interchange or add extension tubes
for magnification variations

Baader FFC*: 2x = 42mm, 3x = 96.2mm, 4x = 150mm,
5x = 206.4mm, 6x = 259mm, 7x = 314mm, 8x = 368mm

BARCON*: 2x = 127mm, 2.5x = 190.5mm, 3x = 254mm, 4x = 381mm

*these are the spacing distances from the middle point of the optic to the focus point

