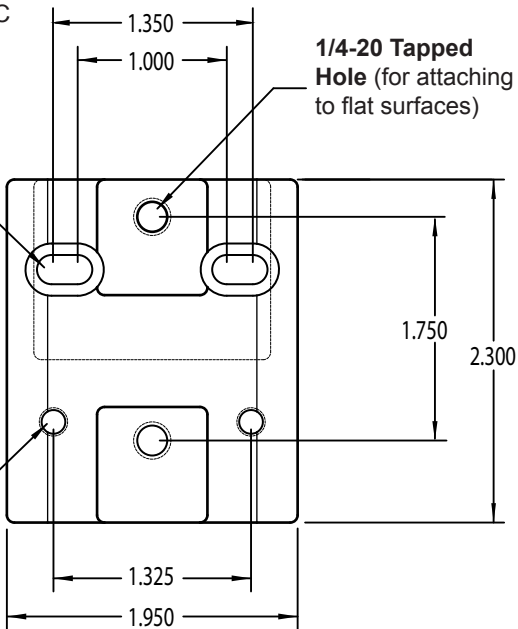


Takahashi Adapter (QRBATAK-A)

Counterbored Thru Slots

use 5 mm or 10-32 SHC screws (for attaching to Takahashi & scopes with Flat Finder Bases)

1/4-20 Tapped Hole (for attaching to flat surfaces)



10-32 Tapped Hole (for attaching all QRBASE versions)