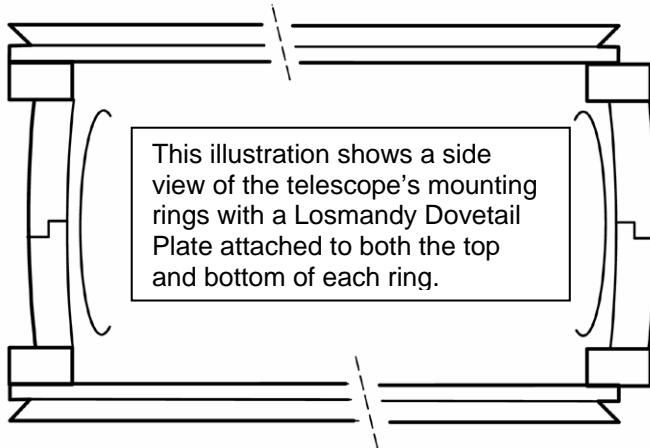


LOSMANDY DOVETAIL PLATES

Instructions to attach both top and bottom plates. Top plate is optional.

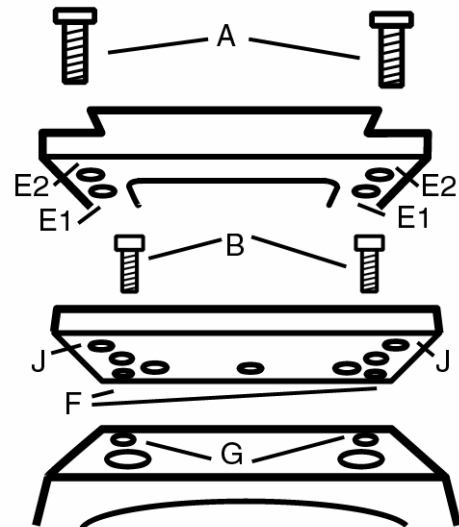
- A - ¼-20x½" short profile socket head cap screw (from Losmandy)
- B - 10-32x3/4" socket head cap screw (from Astro-Physics)
- C - ¼-20x½" socket head cap screw (from Losmandy)
- D - special hand knob from Losmandy
- E - ¼-20 counter-bored holes (E1, E2, E3-not shown)
- F - 10-32 counter-bored holes (four in each block, use outside holes)
- G - 10-32 tapped holes
- H - ¼-20 tapped holes
- I - ¼-20 counter-bored holes
- J - 10-32 tapped holes



Please note when the Losmandy dovetail adapter blocks are attached to the mounting rings in the proper configuration, the blocks will be offset to the rings and the dovetail plates.

Attaching Dovetail Plates to Rings

- 1 Attach Losmandy adapter blocks to the top of each ring. Use the top diagram at the right to select the proper fasteners marked "B" for this step. Please note that the "outer" holes marked "F" (adapter block) should be used with holes marked "G" (top of rings). This will keep your assembly consistent with the diagram above. Tighten.
- 2 Attach Losmandy adapter blocks to the bottom of each ring. Use the diagram to the right to select the proper fasteners marked "C" for this step. At minimum, use the two outer holes marked "I" to insure the plates would be square. There is no need to use all three holes unless desired. Tighten.
- 3 Attach Losmandy dovetail plate to Losmandy adapter blocks at the top of the mounting rings. Use the top diagram at the right to select the proper fasteners marked "A" for this step. To complete this step, choose either the holes marked "E1" or "E2," and "E3" (opposite end of the Losmandy dovetail plate has one slotted hole). Do not completely tighten this assembly until all screws in steps 1 and 2 are in place and tightened.
- 4 Attach Losmandy dovetail plate to Losmandy adapter blocks at the bottom of the mounting rings. Use the diagram at the right to select the proper fasteners marked "A" for this step. Use the same holes you used in the previous step, "E1" or "E2," and "E3" (opposite end of the Losmandy dovetail plate has one slotted hole). Do not completely tighten this assembly until all screws in steps 1 and 2 are in place and tightened.
- 5 Tighten all screws used in steps 3 and 4. It may be helpful to secure the telescope tube into the rings before tightening to ensure that the assembly is square.
- 6 Thread knob marked "D" into the bottom Losmandy plate. This acts as a stop feature for your plates.



Hole pattern in the top of Mounting Rings.

Hole pattern in the bottom of Mounting Rings.

