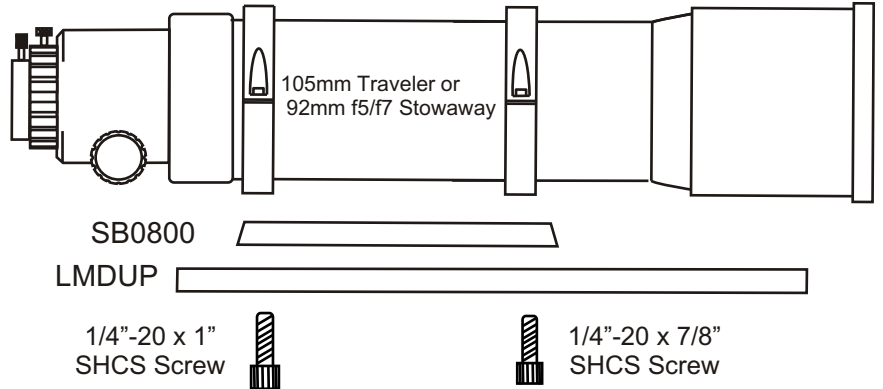


# Using your Traveler or Stowaway with 13.5" Losmandy Universal Plate



To use the Traveler or the Stowaway with a Losmandy "D" series dovetail plate you will need a 13.5" Losmandy Universal Plate (LMDUP) and an Astro-Physics 7" Sliding Bar (SB0800). Since Traveler is short and the Losmandy plate is long, you will need to add the 7" sliding bar between them as a riser.

This will allow the dew shield and focuser knobs of the telescope to clear the dovetail setup.

Use the 1/4"-20x1" socket head cap screw (SHCS) in the back position to secure the Losmandy plate through the countersunk sliding bar and into the rings. The 1" SHCS must be used in the shallow countersunk hole on the plate, as

shown above so that the head protrudes. This will serve as a safety stop so that when you push the telescope forward, you cannot accidentally push it off the front of the dovetail mounting plate. Insert the 1/4"-20x7/8" SHCS through the hole marked on the Losmandy plate above. The screw will go through the 7" sliding bar and into the telescope ring. Install a Losmandy safety knob at the front of the plate and you are ready to set the telescope into the DOVELM (Previous Model) or DOVELM2 plate already attached to the mount.

Note: The short Losmandy Universal Plate cannot be used with our DOVELM or DOVELM2.