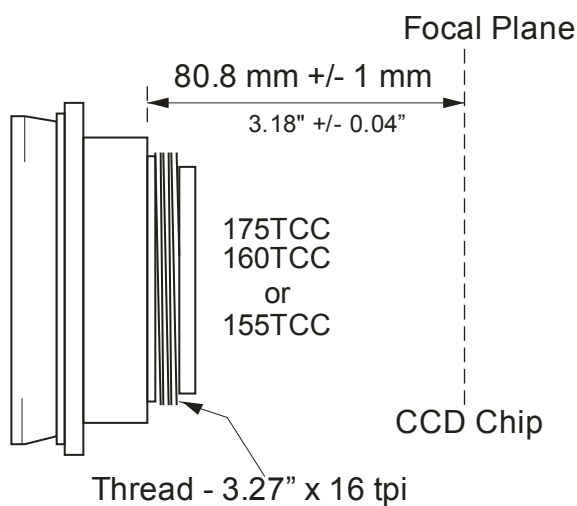


Astro-Physics 0.76x Telecompressor Corrector Spacing Requirements

175TCC f/6.1 for 175 f/8 StarFire EDF
 160TCC f/5.7 for 160 f/7.5 StarFire EDF
 155TCC f/5.3 for 155 f/7 StarFire EDF
 155TCC f/5.7 when used on 140 f/7.5 StarFire EDF4



NOTE: The distance must be the **OPTICAL** distance - **NOT** the mechanical distance. Please be sure you have accounted for the indexing effects of your filters, sensor window, sensor cover slip, and any other glass in the light path. [Rule of thumb: add 1/3 of the total glass thickness to the mechanical distance. This will shorten the adapter length.]

Amount of spacing consumed by Astro-Physics adapters

