

Astro-Physics

Replacing Your GTO Keypad Cable

These instructions are for all versions of the keypad replacement cable. Your cable may have either a blue or white connector. Keypad units, serial number 1568GTO and newer, ship with the white connector, but they can also accept the blue connector. Earlier keypads can accommodate the blue connector exclusively. For this reason, Astro-Physics stocks only the cable with the blue connector (E0190CABLE-E) for repairs. The photos below use the E0190CABLE-E cable.

Warranty considerations

The manufacturer warrants the Astro-Physics GTO Keypad for three years. If your keypad is still within the warranty period, you may void the warranty by opening the keypad to make this repair. NOTE: Damage to the cable itself is typically caused by wear and tear and is not covered by the warranty.

Tools and parts needed

- Small Phillips screwdriver
- Keypad with Keypad Protector removed
- E0190CABLE-E cable with blue connector

Procedure

1. Unscrew the 6 screws in the corners on the back of the keypad.
2. Carefully open the keypad, taking care to make sure that the white plastic washers on the screws are not lost. Lay both halves of the keypad with the wires still connected on your workspace.
3. Locate the 6-wire connector that runs to the keypad cable. Take note of the connector's orientation. The wires should be pointing towards the top of the keypad. Gently unplug the connector and pull the cable, with its strain relief, from the cutout on the cover.
4. Unwrap the new cable and orient the 6-wire connector in the proper direction. Slide the new connector onto the prongs where the old cable was attached. Place the strain relief of the new cable in the cutout of the cover. Check the position of the wires to be sure that they are not twisted excessively or pinched.
5. Carefully close the keypad. Make sure that the white plastic washers on the screws and the strain relief on the cable are in place.
6. Secure the 6 screws. Test your keypad to make sure the new cable works properly.
7. If your keypad has a rubber keypad protector (KEYPRO), install it now using the attached instructions (also available from our website). If you don't have a KEYPRO, we strongly suggest that you purchase one. Refer to our website for additional information.

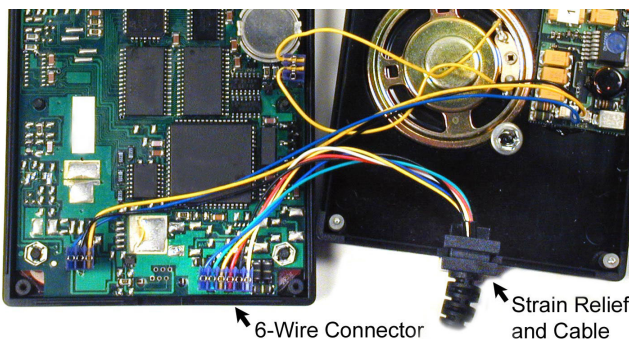
Screw Locations



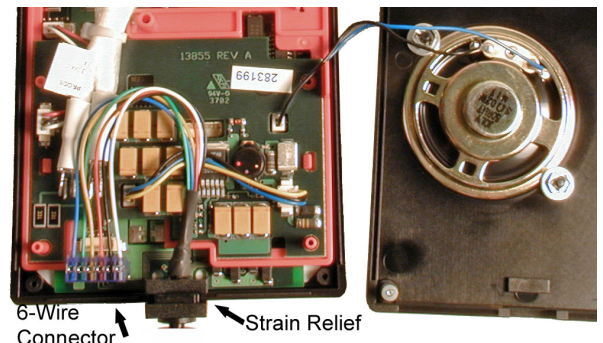
Screw with Washer



Connector removed from prongs



Older keypads - serial #1567GTO & earlier



Newer keypads - serial #1568GTO & later