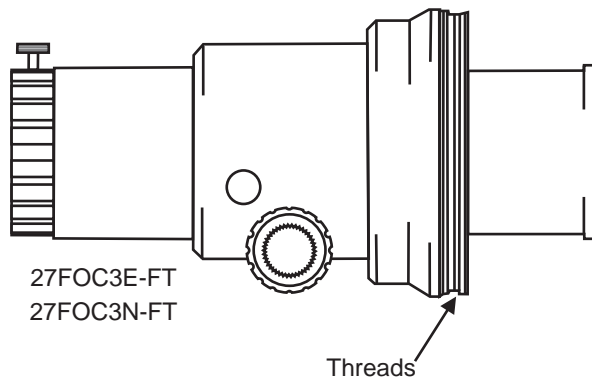
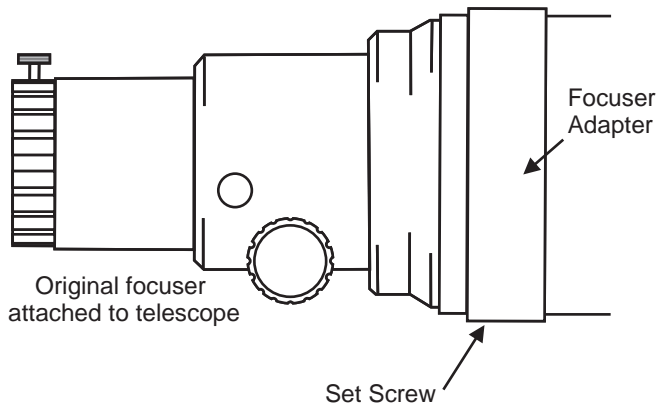


How to Install Your New Focuser

WARNING: Please prevent any shock or sharp impact to the Fine Focus mechanism to prevent damage.

2.7" Focuser



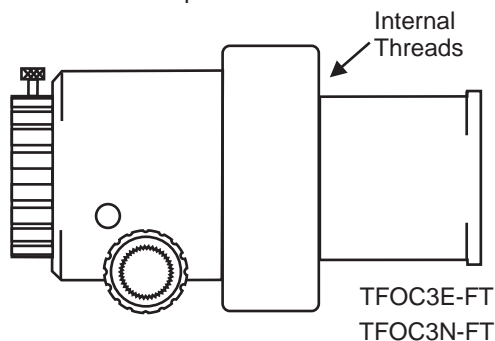
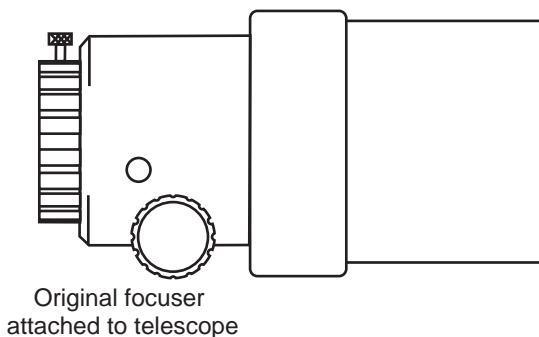
Parts and tools needed

2.7" Focuser attached to telescope
2.7" Focuser with Feather Touch knobs
3/32" Hex key

Instructions

1. Notice that the focuser is positioned so that the pairs of finder bracket holes are in the 11 o'clock and 1 o'clock position. You will want to return your focuser to this position when you are finished.
2. Loosen the set screw with the 3/32" hex key found at the bottom of the focuser adapter as shown in the top diagram.
3. Slowly remove the original focuser by turning it to the left until it detaches from the telescope.
4. Replace the original focuser with the new model. Thread on all the way then back off so that the finder bracket holes are at 11 o'clock and 1 o'clock.
5. Tighten the set screw with the 3/32" hex key.
6. Your focuser installation is now complete. Use the large knobs for coarse focus and the small knob for your final adjustment. The fine focus provides a 9:1 reduction.

Traveler Focuser



Parts and tools needed

Traveler Focuser attached to telescope
Traveler Focuser with Feather Touch knobs

Instructions

1. Slowly remove the original focuser by turning it to the left until it detaches from the telescope.
2. Replace the original focuser with the new model and tighten it all the way.
3. Your focuser installation is now complete. Use the large knobs for coarse focus and the small knob for your final adjustment. The fine focus provides a 9:1 reduction.